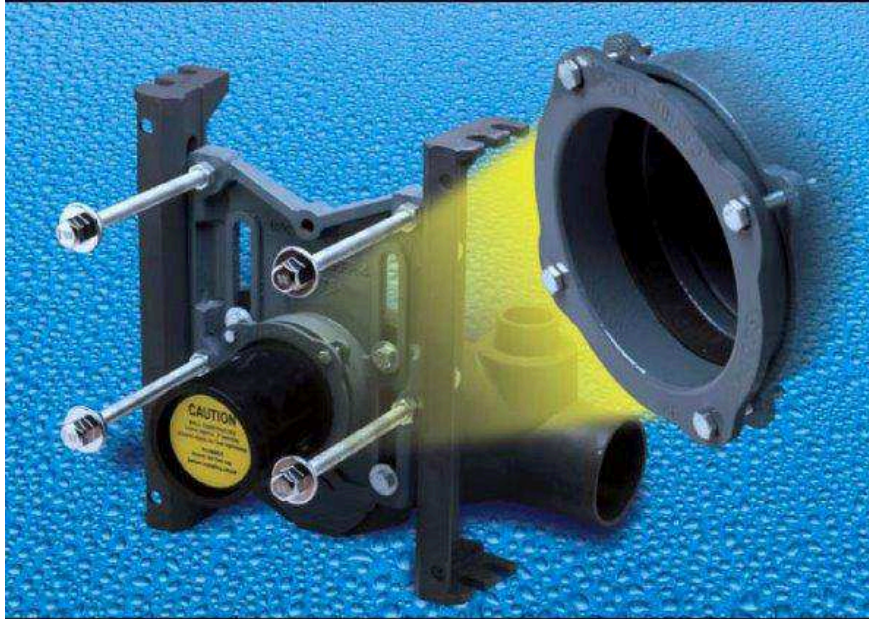


Industry Standard Compression Seal Water Closet Carriers



Features

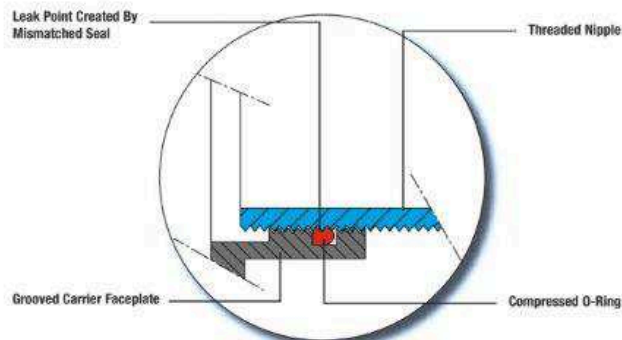
- Proven flanged compression seal with ASTM C564 compression gasket
- Smooth nipple seal covers 4x more surface area than traditional threaded nipple/O-ring seal
- Nipple adjusts easily from outside finished wall with standard socket extension
- Shortened (cut) nipples will not damage seal when re-positioned or re-installed
- Patent Pending

Benefits

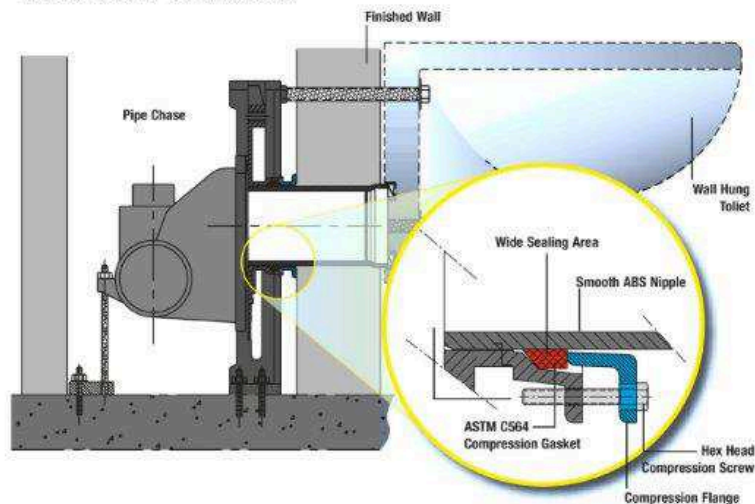
- Eliminates damaging and costly behind-the-wall carrier leaks
- Moisture cannot penetrate seal and trigger mold formation problems
- Positively holds air or water test first time
- No additional sealants or lubricants required at installation



Traditional O-Ring Seal



"Industry Standard" Carrier Assembly



Watts USA Website: www.wattsdrainage.com